

DATA SHEET

74AHC273; 74AHCT273

Octal D-type flip-flop with reset;
positive-edge trigger

Product specification
Supersedes data of 1999 Sep 01

2003 Jul 21

Octal D-type flip-flop with reset; positive-edge trigger

74AHC273; 74AHCT273

FEATURES

- Ideal buffer for MOS microcontroller or memory
- Common clock and master reset
- ESD protection:
HBM EIA/JESD22-A114-A exceeds 2000 V
MM EIA/JESD22-A115-A exceeds 200 V.
- Balanced propagation delays
- All inputs have Schmitt-trigger actions
- Inputs accepts voltages higher than V_{CC}
- Related products:
 - See 74AHC(T)377 for clock enable version
 - See 74AHC(T)373 for transparent latch version
 - See 74AHC(T)374 for 3-state version.
- For AHC only: operates with CMOS input levels
- For AHCT only: operates with TTL input levels
- Specified from -40 to $+85$ °C and -40 to $+125$ °C.

DESCRIPTION

The 74AHC/AHCT273 are high-speed Si-gate CMOS devices and are pin compatible with low power Schottky TTL (LSTTL). They are specified in compliance with JEDEC standard no. 7A.

The 74AHC/AHCT273 have eight edge-triggered, D-type flip-flops with individual D inputs and Q outputs.

The common clock (CP) and master reset (\overline{MR}) inputs load and reset (clear) all flip-flops simultaneously.

The state of each D input, one set-up time before the LOW-to-HIGH clock transition, is transferred to the corresponding output (Qn) of the flip-flop.

All outputs will be forced LOW independently of clock or data inputs by a LOW on the \overline{MR} input.

The device is useful for applications where the true output only is required and the clock and master reset are common to all storage elements.

QUICK REFERENCE DATA

Ground = 0 V; $T_{amb} = 25$ °C; $t_r = t_f \leq 3.0$ ns.

SYMBOL	PARAMETER	CONDITIONS	TYPICAL		UNIT
			74AHC273	74AHCT273	
t_{PHL}/t_{PLH}	propagation delay CP to Qn	$C_L = 15$ pF; $V_{CC} = 5$ V	4.2	4.0	ns
	\overline{MR} to Qn		3.7	3.9	ns
f_{max}	maximum clock frequency	$C_L = 15$ pF; $V_{CC} = 5$ V	165	120	MHz
C_I	input capacitance	$V_I = V_{CC}$ or GND	3.0	3.0	pF
C_O	output capacitance		4.0	4.0	pF
C_{PD}	power dissipation capacitance	$C_L = 50$ pF; $f = 1$ MHz; notes 1 and 2	14.0	18.0	pF

Notes

1. C_{PD} is used to determine the dynamic power dissipation (P_D in μ W).

$$P_D = C_{PD} \times V_{CC}^2 \times f_i \times N + \Sigma(C_L \times V_{CC}^2 \times f_o) \text{ where:}$$

f_i = input frequency in MHz;

f_o = output frequency in MHz;

C_L = output load capacitance in pF;

V_{CC} = supply voltage in Volts;

N = total load switching outputs;

$\Sigma(C_L \times V_{CC}^2 \times f_o)$ = sum of the outputs.

2. The condition is $V_I = \text{GND to } V_{CC}$

Octal D-type flip-flop with reset; positive-edge trigger

74AHC273; 74AHCT273

FUNCTION TABLE

See note 1.

OPERATING MODES	INPUT			OUTPUT
	$\overline{\text{MR}}$	CP	Dn	Qn
Reset (clear)	L	X	X	L
Load '1'	H	↑	h	H
Load '0'	H	↑	l	L

Note

- H = HIGH voltage level;
h = HIGH voltage level one set-up time prior to the HIGH-to-LOW CP transition;
L = LOW voltage level;
l = LOW voltage level one set-up time prior to the HIGH-to-LOW CP transition;
X = don't care;
↑ = LOW-to-HIGH transition.

ORDERING INFORMATION

TYPE NUMBER	TEMPERATURE RANGE	PACKAGE			
		PINS	PACKAGE	MATERIAL	CODE
74AHC273D	-40 to +125 °C	20	SO20	plastic	SOT163-1
74AHCT273D	-40 to +125 °C	20	SO20	plastic	SOT163-1
74AHC273PW	-40 to +125 °C	20	TSSOP20	plastic	SOT360-1
74AHCT273PW	-40 to +125 °C	20	TSSOP20	plastic	SOT360-1
74AHC273BQ	-40 to +125 °C	20	DHVQFN20	plastic	SOT764-1
74AHCT273BQ	-40 to +125 °C	20	DHVQFN20	plastic	SOT764-1

PINNING

PIN	SYMBOL	DESCRIPTION
1	$\overline{\text{MR}}$	master reset input (active LOW)
2	Q0	flip-flop output
3	D0	data input
4	D1	data input
5	Q1	flip-flop output
6	Q2	flip-flop output
7	D2	data input
8	D3	data input
9	Q3	flip-flop output
10	GND	ground (0 V)

PIN	SYMBOL	DESCRIPTION
11	CP	clock input (LOW-to-HIGH; edge-triggered)
12	Q4	flip-flop output
13	D4	data input
14	D5	data input
15	Q5	flip-flop output
16	Q6	flip-flop output
17	D6	data input
18	D7	data input
19	Q7	flip-flop output
20	V _{CC}	supply voltage

Octal D-type flip-flop with reset;
positive-edge trigger

74AHC273; 74AHCT273

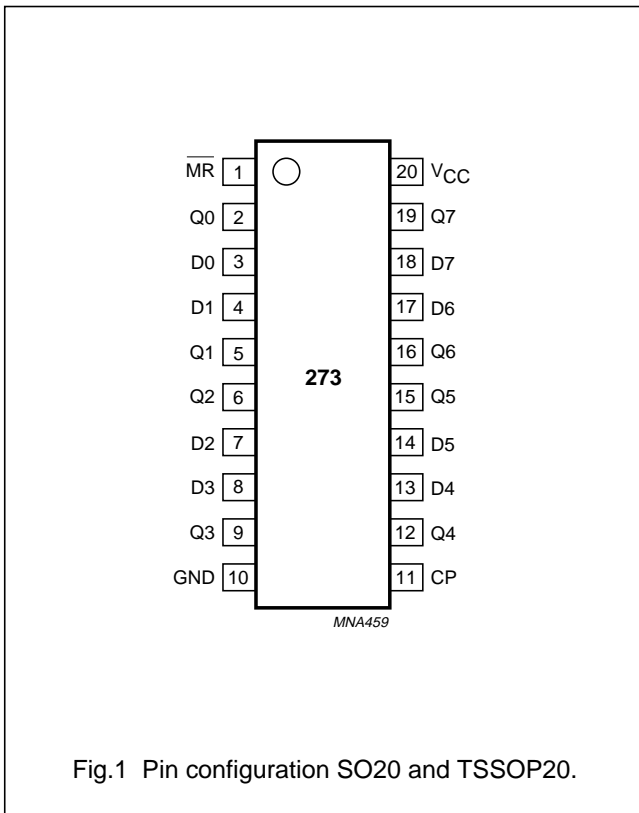
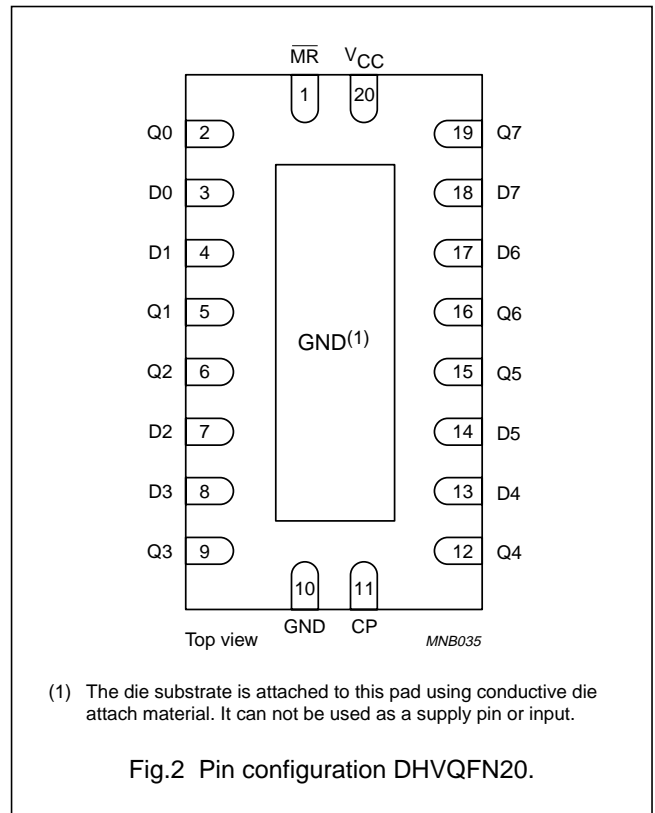


Fig.1 Pin configuration SO20 and TSSOP20.



(1) The die substrate is attached to this pad using conductive die attach material. It can not be used as a supply pin or input.

Fig.2 Pin configuration DHVQFN20.

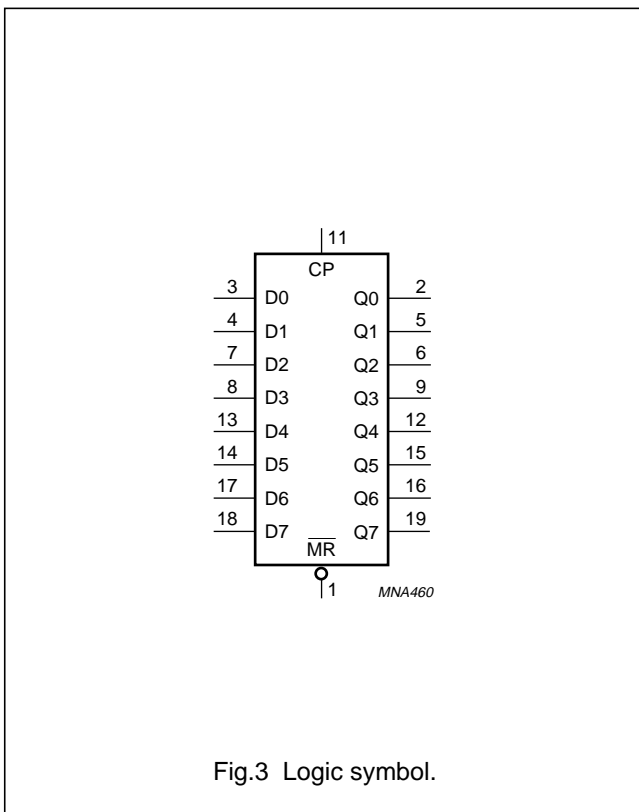


Fig.3 Logic symbol.

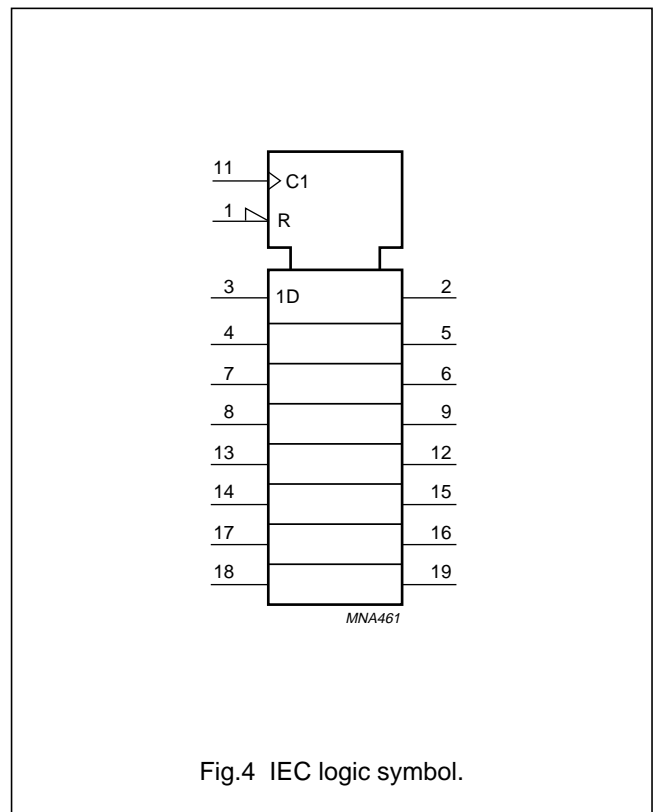


Fig.4 IEC logic symbol.

Octal D-type flip-flop with reset;
positive-edge trigger

74AHC273; 74AHCT273

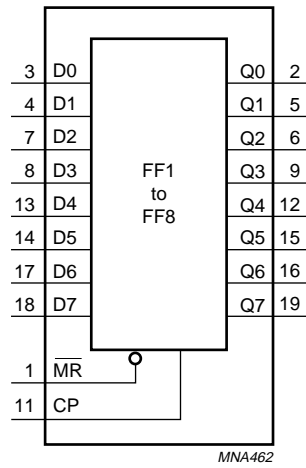


Fig.5 Function diagram.

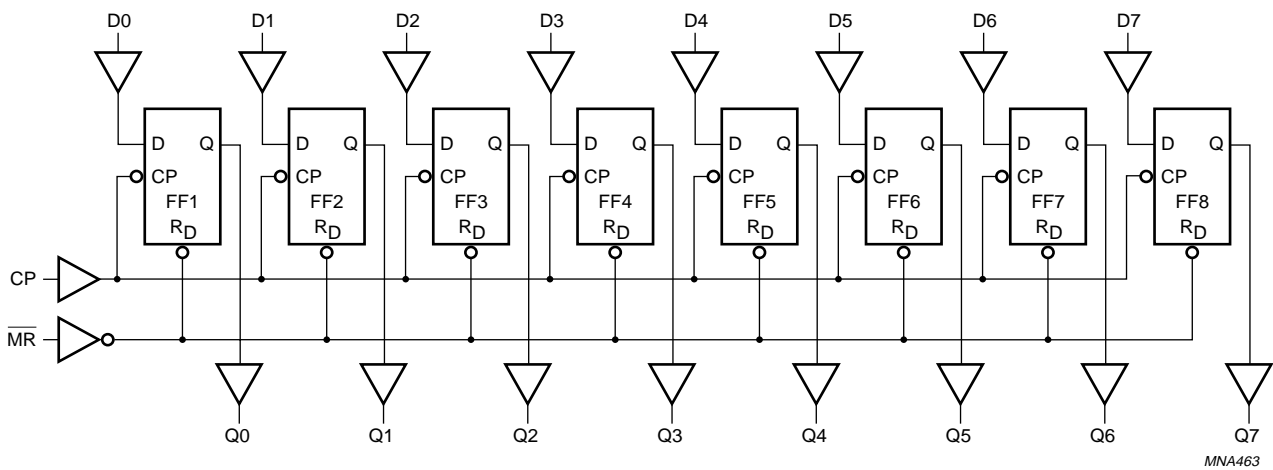


Fig.6 Logic diagram.

Octal D-type flip-flop with reset; positive-edge trigger

74AHC273; 74AHCT273

RECOMMENDED OPERATING CONDITIONS

SYMBOL	PARAMETER	CONDITIONS	74AHC			74AHCT			UNIT
			MIN.	TYP.	MAX.	MIN.	TYP.	MAX.	
V_{CC}	supply voltage		2.0	5.0	5.5	4.5	5.0	5.5	V
V_I	input voltage		0	–	5.5	0	–	5.5	V
V_O	output voltage		0	–	V_{CC}	0	–	V_{CC}	V
T_{amb}	ambient temperature	see DC and AC characteristics per device	–40	+25	+85	–40	+25	+85	°C
			–40	+25	+125	–40	+25	+125	°C
t_r, t_f	input rise and fall ratio	$V_{CC} = 3.3 \pm 0.3$ V	–	–	100	–	–	–	ns/V
		$V_{CC} = 5 \pm 0.5$ V	–	–	20	–	–	20	ns/V

LIMITING VALUES

In accordance with the Absolute Maximum Rating System (IEC 60134); voltages are referenced to GND (ground = 0 V).

SYMBOL	PARAMETER	CONDITIONS	MIN.	MAX.	UNIT
V_{CC}	supply voltage		–0.5	+7.0	V
V_I	input voltage		–0.5	+7.0	V
I_{IK}	input diode current	$V_I < -0.5$ V; note 1	–	–20	mA
I_{OK}	output diode current	$V_O < -0.5$ V or $V_O > V_{CC} + 0.5$ V; note 1	–	± 20	mA
I_O	output source or sink current	$V_O = -0.5$ V to $V_{CC} + 0.5$ V	–	± 25	mA
I_{CC}, I_{GND}	V_{CC} or GND current		–	± 75	mA
T_{stg}	storage temperature		–65	+150	°C
P_D	power dissipation	$T_{amb} = -40$ to $+125$ °C; note 2	–	500	mW

Notes

- The input and output voltage ratings may be exceeded if the input and output current ratings are observed.
- For SO20 packages: above 70 °C the value of P_D derates linearly with 8 mW/K.
For TSSOP20 packages: above 60 °C the value of P_D derates linearly with 5.5 mW/K.
For DHVQFN20 packages: above 60 °C the value of P_D derates linearly with 4.5 mW/K.

Octal D-type flip-flop with reset; positive-edge trigger

74AHC273; 74AHCT273

DC CHARACTERISTICS

Type 74AHC273

At recommended operating conditions; voltages are referenced to GND (ground = 0 V).

SYMBOL	PARAMETER	TEST CONDITIONS		MIN.	TYP.	MAX.	UNIT
		OTHER	V _{CC} (V)				
T_{amb} = 25 °C							
V _{IH}	HIGH-level input voltage		2.0	1.5	–	–	V
			3.0	2.1	–	–	V
			5.5	3.85	–	–	V
V _{IL}	LOW-level input voltage		2.0	–	–	0.5	V
			3.0	–	–	0.9	V
			5.5	–	–	1.65	V
V _{OH}	HIGH-level output voltage	V _I = V _{IH} or V _{IL} I _O = –50 µA	2.0	1.9	2.0	–	V
			3.0	2.9	3.0	–	V
			4.5	4.4	4.5	–	V
		I _O = –4.0 mA	3.0	2.58	–	–	V
		I _O = –8.0 mA	4.5	3.94	–	–	V
V _{OL}	LOW-level output voltage	V _I = V _{IH} or V _{IL} I _O = 50 µA	2.0	–	0	0.1	V
			3.0	–	0	0.1	V
			4.5	–	0	0.1	V
		I _O = 4.0 mA	3.0	–	–	0.36	V
		I _O = 8.0 mA	4.5	–	–	0.36	V
I _{LI}	input leakage current	V _I = V _{CC} or GND	5.5	–	–	0.1	µA
I _{CC}	quiescent supply current	V _I = V _{CC} or GND; I _O = 0	5.5	–	–	4.0	µA
C _I	input capacitance		–	–	3	10	pF

Octal D-type flip-flop with reset;
positive-edge trigger

74AHC273; 74AHCT273

SYMBOL	PARAMETER	TEST CONDITIONS		MIN.	TYP.	MAX.	UNIT
		OTHER	V _{CC} (V)				
T_{amb} = -40 to +85 °C							
V _{IH}	HIGH-level input voltage		2.0	1.5	–	–	V
			3.0	2.1	–	–	V
			5.5	3.85	–	–	V
V _{IL}	LOW-level input voltage		2.0	–	–	0.5	V
			3.0	–	–	0.9	V
			5.5	–	–	1.65	V
V _{OH}	HIGH-level output voltage	V _I = V _{IH} or V _{IL} I _O = -50 µA	2.0	1.9	–	–	V
			3.0	2.9	–	–	V
			4.5	4.4	–	–	V
		I _O = -4.0 mA I _O = -8.0 mA	3.0	2.48	–	–	V
			4.5	3.8	–	–	V
V _{OL}	LOW-level output voltage	V _I = V _{IH} or V _{IL} I _O = 50 µA	2.0	–	–	0.1	V
			3.0	–	–	0.1	V
			4.5	–	–	0.1	V
		I _O = 4.0 mA I _O = 8.0 mA	3.0	–	–	0.44	V
			4.5	–	–	0.44	V
I _{LI}	input leakage current	V _I = V _{CC} or GND	5.5	–	–	1.0	µA
I _{CC}	quiescent supply current	V _I = V _{CC} or GND; I _O = 0	5.5	–	–	40	µA
C _I	input capacitance		–	–	–	10	pF

Octal D-type flip-flop with reset;
positive-edge trigger

74AHC273; 74AHCT273

SYMBOL	PARAMETER	TEST CONDITIONS		MIN.	TYP.	MAX.	UNIT
		OTHER	V _{CC} (V)				
T_{amb} = -40 to +125 °C							
V _{IH}	HIGH-level input voltage		2.0	1.5	–	–	V
			3.0	2.1	–	–	V
			5.5	3.85	–	–	V
V _{IL}	LOW-level input voltage		2.0	–	–	0.5	V
			3.0	–	–	0.9	V
			5.5	–	–	1.65	V
V _{OH}	HIGH-level output voltage	V _I = V _{IH} or V _{IL} I _O = -50 µA	2.0	1.9	–	–	V
			3.0	2.9	–	–	V
			4.5	4.4	–	–	V
		I _O = -4.0 mA I _O = -8.0 mA	3.0	2.40	–	–	V
			4.5	3.70	–	–	V
V _{OL}	LOW-level output voltage	V _I = V _{IH} or V _{IL} I _O = 50 µA	2.0	–	–	0.1	V
			3.0	–	–	0.1	V
			4.5	–	–	0.1	V
		I _O = 4.0 mA I _O = 8.0 mA	3.0	–	–	0.55	V
			4.5	–	–	0.55	V
I _{LI}	input leakage current	V _I = V _{CC} or GND	5.5	–	–	2.0	µA
I _{CC}	quiescent supply current	V _I = V _{CC} or GND; I _O = 0	5.5	–	–	80	µA
C _I	input capacitance		–	–	–	10	pF

Octal D-type flip-flop with reset; positive-edge trigger

74AHC273; 74AHCT273

Type 74AHCT273

At recommended operating conditions; voltages are referenced to GND (ground = 0 V).

SYMBOL	PARAMETER	TEST CONDITIONS		MIN.	TYP.	MAX.	UNIT
		OTHER	V _{CC} (V)				
T_{amb} = 25 °C							
V _{IH}	HIGH-level input voltage		4.5 to 5.5	2.0	–	–	V
V _{IL}	LOW-level input voltage		4.5 to 5.5	–	–	0.8	V
V _{OH}	HIGH-level output voltage	V _I = V _{IH} or V _{IL} I _O = –50 µA	4.5	4.4	4.5	–	V
		I _O = –8.0 mA	4.5	3.94	–	V	
V _{OL}	LOW-level output voltage	V _I = V _{IH} or V _{IL} I _O = 50 µA	4.5	–	0	0.1	V
		I _O = 8.0 mA	4.5	–	–	0.36	V
I _{LI}	input leakage current	V _I = V _{IH} or V _{IL}	5.5	–	–	0.1	µA
I _{CC}	quiescent supply current	V _I = V _{CC} or GND; I _O = 0	5.5	–	–	4.0	µA
ΔI _{CC}	additional quiescent supply current per input pin	V _I = V _{CC} – 2.1 V; other inputs at V _{CC} or GND; I _O = 0	4.5 to 5.5	–	–	1.35	mA
C _I	input capacitance		–	–	3	10	pF
T_{amb} = –40 to +85 °C							
V _{IH}	HIGH-level input voltage		4.5 to 5.5	2.0	–	–	V
V _{IL}	LOW-level input voltage		4.5 to 5.5	–	–	0.8	V
V _{OH}	HIGH-level output voltage	V _I = V _{IH} or V _{IL} I _O = –50 µA	4.5	4.4	–	–	V
		I _O = –8.0 mA	4.5	3.8	–	V	
V _{OL}	LOW-level output voltage	V _I = V _{IH} or V _{IL} I _O = 50 µA	4.5	–	–	0.1	V
		I _O = 8.0 mA	4.5	–	–	0.44	V
I _{LI}	input leakage current	V _I = V _{IH} or V _{IL}	5.5	–	–	1.0	µA
I _{CC}	quiescent supply current	V _I = V _{CC} or GND; I _O = 0	5.5	–	–	40	µA
ΔI _{CC}	additional quiescent supply current per input pin	V _I = V _{CC} – 2.1 V; other inputs at V _{CC} or GND; I _O = 0	4.5 to 5.5	–	–	1.5	mA
C _I	input capacitance		–	–	–	10	pF

Octal D-type flip-flop with reset;
positive-edge trigger

74AHC273; 74AHCT273

SYMBOL	PARAMETER	TEST CONDITIONS		MIN.	TYP.	MAX.	UNIT
		OTHER	V _{CC} (V)				
T_{amb} = -40 to +125 °C							
V _{IH}	HIGH-level input voltage		4.5 to 5.5	2.0	–	–	V
V _{IL}	LOW-level input voltage		4.5 to 5.5	–	–	0.8	V
V _{OH}	HIGH-level output voltage	V _I = V _{IH} or V _{IL} I _O = -50 µA	4.5	4.4	–	–	V
		I _O = -8.0 mA	4.5	3.70	–	–	V
V _{OL}	LOW-level output voltage	V _I = V _{IH} or V _{IL} I _O = 50 µA	4.5	–	–	0.1	V
		I _O = 8.0 mA	4.5	–	–	0.55	V
I _{LI}	input leakage current	V _I = V _{IH} or V _{IL}	5.5	–	–	2.0	µA
I _{CC}	quiescent supply current	V _I = V _{CC} or GND; I _O = 0	5.5	–	–	80	µA
ΔI _{CC}	additional quiescent supply current per input pin	V _I = V _{CC} - 2.1 V; other inputs at V _{CC} or GND; I _O = 0	4.5 to 5.5	–	–	1.5	mA
C _I	input capacitance		–	–	–	10	pF

Octal D-type flip-flop with reset; positive-edge trigger

74AHC273; 74AHCT273

AC CHARACTERISTICS

Type 74AHC273

Ground = 0 V; $t_r = t_f \leq 3.0$ ns.

SYMBOL	PARAMETER	TEST CONDITIONS			MIN.	TYP.	MAX.	UNIT
		WAVEFORMS	C_L (pF)	V_{CC} (V)				
$T_{amb} = 25$ °C; note 1								
t_{PHL}/t_{PLH}	propagation delay CP to Qn	see Figs 7 and 10	15	3.0 to 3.6	–	6.0	13.6	ns
				4.5 to 5.5	–	4.2	9	ns
			50	3.0 to 3.6	–	8.6	17.1	ns
				4.5 to 5.5	–	6.0	11.0	ns
t_{PHL}	propagation delay MR to Qn	see Figs 8 and 10	15	3.0 to 3.6	–	5.1	13.6	ns
				4.5 to 5.5	–	3.7	8.5	ns
			50	3.0 to 3.6	–	7.3	17.1	ns
				4.5 to 5.5	–	5.3	10.5	ns
f_{max}	maximum clock pulse frequency		15	3.0 to 3.6	75	120	–	MHz
				4.5 to 5.5	120	165	–	MHz
			50	3.0 to 3.6	50	75	–	MHz
				4.5 to 5.5	80	110	–	MHz
t_W	clock pulse width HIGH or LOW	see Figs 7 and 10	50	3.0 to 3.6	5.0	–	–	ns
				4.5 to 5.5	5.0	–	–	ns
	master reset pulse width LOW	see Figs 8 and 10	50	3.0 to 3.6	5.0	–	–	ns
				4.5 to 5.5	5.0	–	–	ns
t_{rem}	removal time MR to CP	see Figs 8 and 10	50	3.0 to 3.6	2.5	–	–	ns
				4.5 to 5.5	2.0	–	–	ns
t_{su}	set-up time Dn to CP	see Figs 9 and 10	50	3.0 to 3.6	3.0	–	–	ns
				4.5 to 5.5	3.0	–	–	ns
t_h	hold time Dn to CP	see Figs 9 and 10	50	3.0 to 3.6	1.0	–	–	ns
				4.5 to 5.5	1.0	–	–	ns

Octal D-type flip-flop with reset;
positive-edge trigger

74AHC273; 74AHCT273

SYMBOL	PARAMETER	TEST CONDITIONS			MIN.	TYP.	MAX.	UNIT
		WAVEFORMS	C _L (pF)	V _{CC} (V)				
T_{amb} = -40 to +85 °C								
t _{PHL} /t _{PLH}	propagation delay CP to Qn	see Figs 7 and 10	15	3.0 to 3.6	1.0	–	16.0	ns
				4.5 to 5.5	1.0	–	10.5	ns
			50	3.0 to 3.6	1.0	–	19.5	ns
				4.5 to 5.5	1.0	–	12.5	ns
t _{PHL}	propagation delay MR to Qn	see Figs 8 and 10	15	3.0 to 3.6	1.0	–	16.0	ns
				4.5 to 5.5	1.0	–	10.0	ns
			50	3.0 to 3.6	1.0	–	19.5	ns
				4.5 to 5.5	1.0	–	12.0	ns
f _{max}	maximum clock pulse frequency		15	3.0 to 3.6	65	–	–	MHz
				4.5 to 5.5	100	–	–	MHz
			50	3.0 to 3.6	45	–	–	MHz
				4.5 to 5.5	70	–	–	MHz
t _w	clock pulse width HIGH or LOW	see Figs 7 and 10	50	3.0 to 3.6	6.5	–	–	ns
				4.5 to 5.5	5.0	–	–	ns
	master reset pulse width LOW	see Figs 8 and 10	50	3.0 to 3.6	6.0	–	–	ns
				4.5 to 5.5	5.0	–	–	ns
t _{rem}	removal time MR to CP	see Figs 8 and 10	50	3.0 to 3.6	2.5	–	–	ns
				4.5 to 5.5	2.0	–	–	ns
t _{su}	set-up time Dn to CP	see Figs 9 and 10	50	3.0 to 3.6	3.0	–	–	ns
				4.5 to 5.5	3.0	–	–	ns
t _h	hold time Dn to CP	see Figs 9 and 10	50	3.0 to 3.6	1.0	–	–	ns
				4.5 to 5.5	1.0	–	–	ns

Octal D-type flip-flop with reset;
positive-edge trigger

74AHC273; 74AHCT273

SYMBOL	PARAMETER	TEST CONDITIONS			MIN.	TYP.	MAX.	UNIT
		WAVEFORMS	C _L (pF)	V _{CC} (V)				
T_{amb} = -40 to +125 °C								
t _{PHL} /t _{PLH}	propagation delay CP to Qn	see Figs 7 and 10	15	3.0 to 3.6	1.0	–	17.0	ns
				4.5 to 5.5	1.0	–	11.5	ns
			50	3.0 to 3.6	1.0	–	21.5	ns
				4.5 to 5.5	1.0	–	14.0	ns
t _{PHL}	propagation delay MR to Qn	see Figs 8 and 10	15	3.0 to 3.6	1.0	–	17.0	ns
				4.5 to 5.5	1.0	–	11.0	ns
			50	3.0 to 3.6	1.0	–	21.5	ns
				4.5 to 5.5	1.0	–	13.5	ns
f _{max}	maximum clock pulse frequency		15	3.0 to 3.6	65	–	–	MHz
				4.5 to 5.5	100	–	–	MHz
			50	3.0 to 3.6	45	–	–	MHz
				4.5 to 5.5	70	–	–	MHz
t _w	clock pulse width HIGH or LOW	see Figs 7 and 10	50	3.0 to 3.6	6.5	–	–	ns
				4.5 to 5.5	5.0	–	–	ns
	master reset pulse width LOW	see Figs 8 and 10	50	3.0 to 3.6	6.0	–	–	ns
				4.5 to 5.5	5.0	–	–	ns
t _{rem}	removal time MR to CP	see Figs 8 and 10	50	3.0 to 3.6	2.5	–	–	ns
				4.5 to 5.5	2.0	–	–	ns
t _{su}	set-up time Dn to CP	see Figs 9 and 10	50	3.0 to 3.6	3.0	–	–	ns
				4.5 to 5.5	3.0	–	–	ns
t _h	hold time Dn to CP	see Figs 9 and 10	50	3.0 to 3.6	1.0	–	–	ns
				4.5 to 5.5	1.0	–	–	ns

Note

1. Typical values are measured at V_{CC} = 3.3 V for V_{CC} = 3.0 to 3.6 V and at V_{CC} = 5.0 V for V_{CC} = 4.5 to 5.5 V.

Octal D-type flip-flop with reset;
positive-edge trigger

74AHC273; 74AHCT273

Type 74AHCT273

Ground = 0 V; $t_r = t_f \leq 3.0$ ns.

SYMBOL	PARAMETER	TEST CONDITIONS			MIN.	TYP.	MAX.	UNIT
		WAVEFORMS	C _L (pF)	V _{CC} (V)				
T_{amb} = 25 °C; note 1								
t _{PHL} /t _{PLH}	propagation delay CP to Qn	see Figs 7 and 10	15	4.5 to 5.5	–	4.0	7.5	ns
			50	4.5 to 5.5	–	5.8	9.2	ns
t _{PHL}	propagation delay MR to Qn	see Figs 8 and 10	15	4.5 to 5.5	–	3.9	10.0	ns
			50	4.5 to 5.5	–	5.6	11.0	ns
f _{max}	maximum clock pulse frequency		15	4.5 to 5.5	75	120	–	MHz
			50	4.5 to 5.5	50	75	–	MHz
t _W	clock pulse width HIGH or LOW	see Figs 7 and 10	50	4.5 to 5.5	5.0	–	–	ns
	master reset pulse width LOW	see Figs 8 and 10	50	4.5 to 5.5	5.0	–	–	ns
t _{rem}	removal time MR to CP	see Figs 8 and 10	50	4.5 to 5.5	2.5	–	–	ns
t _{su}	set-up time Dn to CP	see Figs 9 and 10	50	4.5 to 5.5	3.0	–	–	ns
t _h	hold time Dn to CP	see Figs 9 and 10	50	4.5 to 5.5	1.0	–	–	ns
T_{amb} = –40 to +85 °C								
t _{PHL} /t _{PLH}	propagation delay CP to Qn	see Figs 7 and 10	15	4.5 to 5.5	1.0	–	8.8	ns
			50	4.5 to 5.5	1.0	–	10.5	ns
t _{PHL}	propagation delay MR to Qn	see Figs 8 and 10	15	4.5 to 5.5	1.0	–	11.6	ns
			50	4.5 to 5.5	1.0	–	12.6	ns
f _{max}	maximum clock pulse frequency		15	4.5 to 5.5	65	–	–	MHz
			50	4.5 to 5.5	45	–	–	MHz
t _W	clock pulse width HIGH or LOW	see Figs 7 and 10	50	4.5 to 5.5	6.5	–	–	ns
	master reset pulse width LOW	see Figs 8 and 10	50	4.5 to 5.5	6.0	–	–	ns
t _{rem}	removal time MR to CP	see Figs 8 and 10	50	4.5 to 5.5	2.5	–	–	ns
t _{su}	set-up time Dn to CP	see Figs 9 and 10	50	4.5 to 5.5	3.0	–	–	ns
t _h	hold time Dn to CP	see Figs 9 and 10	50	4.5 to 5.5	1.0	–	–	ns

Octal D-type flip-flop with reset;
positive-edge trigger

74AHC273; 74AHCT273

SYMBOL	PARAMETER	TEST CONDITIONS			MIN.	TYP.	MAX.	UNIT
		WAVEFORMS	C _L (pF)	V _{CC} (V)				
T_{amb} = -40 to +125 °C								
t _{PHL} /t _{PLH}	propagation delay CP to Qn	see Figs 7 and 10	15	4.5 to 5.5	1.0	–	9.5	ns
			50	4.5 to 5.5	1.0	–	11.5	ns
t _{PHL}	propagation delay MR to Qn	see Figs 8 and 10	15	4.5 to 5.5	1.0	–	12.5	ns
			50	4.5 to 5.5	1.0	–	14.0	ns
f _{max}	maximum clock pulse frequency		15	4.5 to 5.5	65	–	–	MHz
			50	4.5 to 5.5	45	–	–	MHz
t _W	clock pulse width HIGH or LOW	see Figs 7 and 10	50	4.5 to 5.5	6.5	–	–	ns
	master reset pulse width LOW	see Figs 8 and 10	50	4.5 to 5.5	6.0	–	–	ns
t _{rem}	removal time MR to CP	see Figs 8 and 10	50	4.5 to 5.5	2.5	–	–	ns
t _{su}	set-up time Dn to CP	see Figs 9 and 10	50	4.5 to 5.5	3.0	–	–	ns
t _h	hold time Dn to CP	see Figs 9 and 10	50	4.5 to 5.5	1.0	–	–	ns
t _{PHL} /t _{PLH}	propagation delay CP to Qn	see Figs 7 and 10	15	4.5 to 5.5	1.0	–	9.5	ns

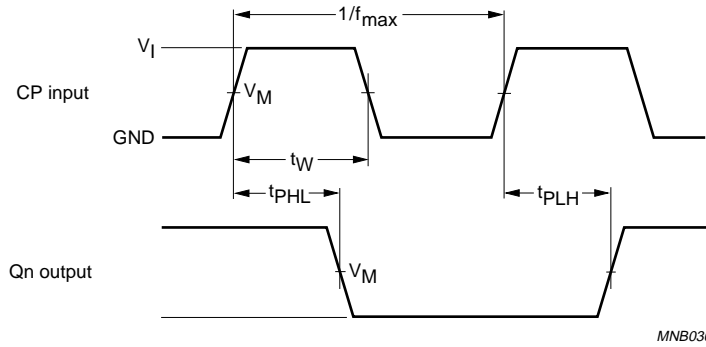
Note

1. All typical values are measured at V_{CC} = 5.0 V.

Octal D-type flip-flop with reset;
positive-edge trigger

74AHC273; 74AHCT273

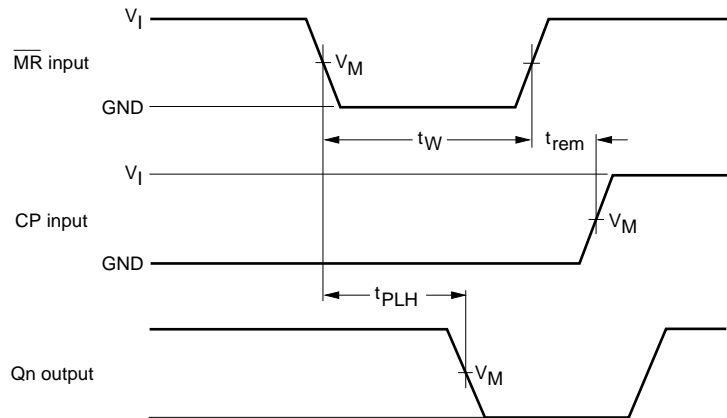
AC WAVEFORMS



MNB036

FAMILY	V _I	V _M INPUT	V _M OUTPUT
AHC	GND to V _{CC}	0.5V _{CC}	0.5V _{CC}
AHCT	GND to 3.0 V	1.5 V	0.5V _{CC}

Fig.7 The clock (CP) to output (Qn) propagation delays, the clock pulse width output transition times and the maximum clock pulse frequency.



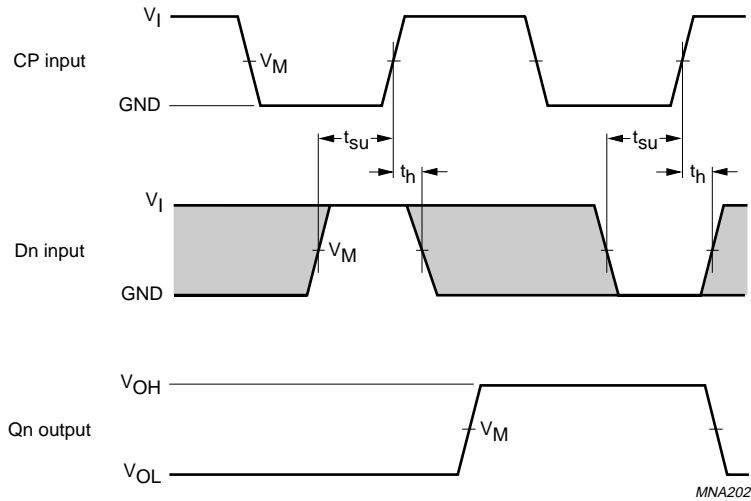
MNA464

FAMILY	V _I	V _M INPUT	V _M OUTPUT
AHC	GND to V _{CC}	0.5V _{CC}	0.5V _{CC}
AHCT	GND to 3.0 V	1.5 V	0.5V _{CC}

Fig.8 The master reset (\overline{MR}) pulse width, the master reset to output (Qn) propagation delays and master reset to clock (CP) removal time.

Octal D-type flip-flop with reset;
positive-edge trigger

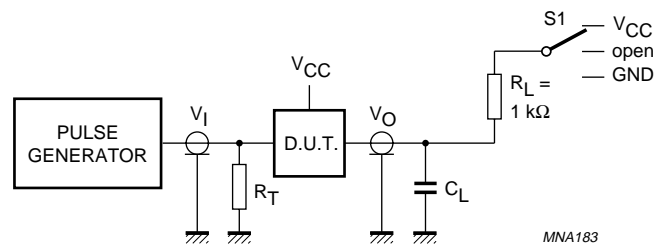
74AHC273; 74AHCT273



FAMILY	V _I	V _M INPUT	V _M OUTPUT
AHC	GND to V _{CC}	0.5V _{CC}	0.5V _{CC}
AHCT	GND to 3.0 V	1.5 V	0.5V _{CC}

The shaded areas indicate when the input is permitted to change for predicable output performance.

Fig.9 The data set-up and hold times for the data input (Dn).



TEST	S1
t _{PLH} /t _{PHL}	open
t _{PLZ} /t _{PZL}	V _{CC}
t _{PHZ} /t _{PZH}	GND

Definitions for test circuit.

C_L = Load capacitance including jig and probe capacitance (See Chapter "AC characteristics").

R_L = Load resistor.

R_T = Termination resistance should be equal to the output impedance Z_o of the pulse generator.

Fig.10 Load circuitry for switching times.

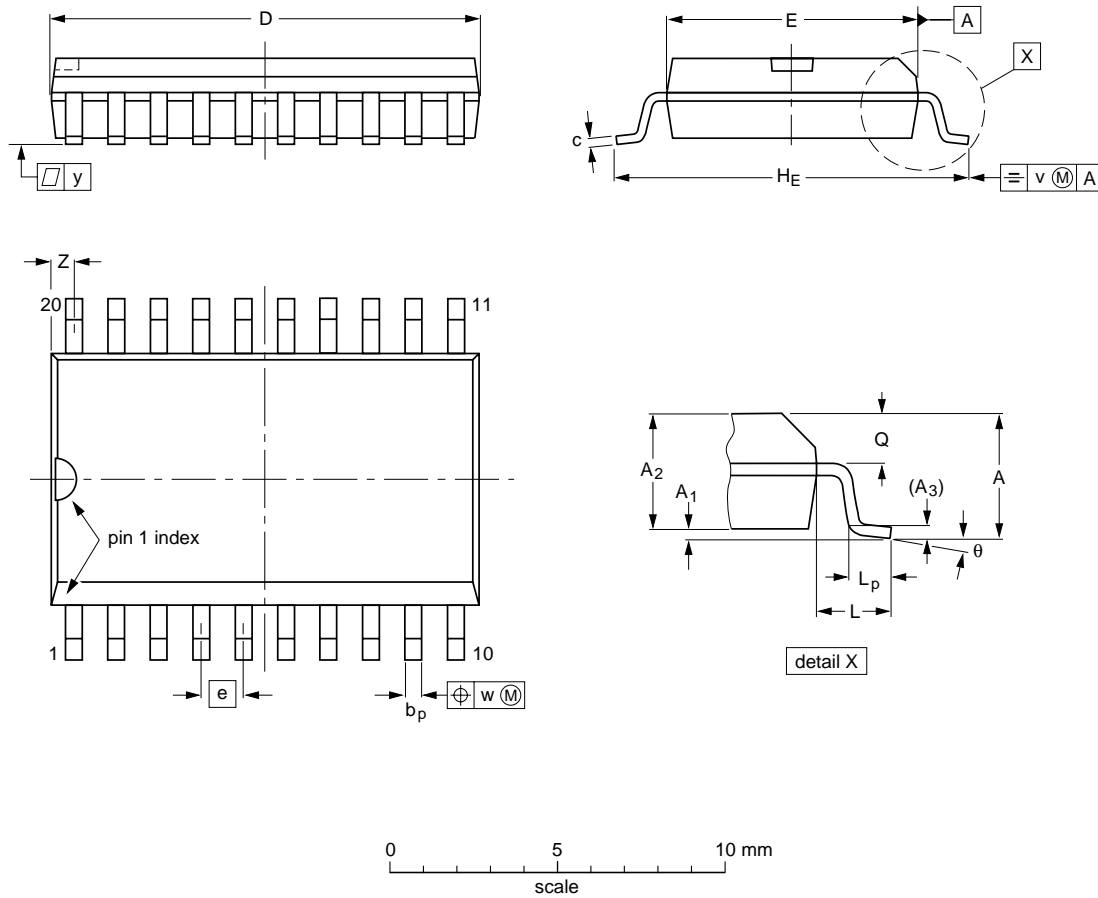
Octal D-type flip-flop with reset;
positive-edge trigger

74AHC273; 74AHCT273

PACKAGE OUTLINES

SO20: plastic small outline package; 20 leads; body width 7.5 mm

SOT163-1



DIMENSIONS (inch dimensions are derived from the original mm dimensions)

UNIT	A max.	A ₁	A ₂	A ₃	b _p	c	D ⁽¹⁾	E ⁽¹⁾	e	H _E	L	L _p	Q	v	w	y	z ⁽¹⁾	θ
mm	2.65	0.3 0.1	2.45 2.25	0.25	0.49 0.36	0.32 0.23	13.0 12.6	7.6 7.4	1.27	10.65 10.00	1.4	1.1 0.4	1.1 1.0	0.25	0.25	0.1	0.9 0.4	8° 0°
inches	0.1	0.012 0.004	0.096 0.089	0.01	0.019 0.014	0.013 0.009	0.51 0.49	0.30 0.29	0.05	0.419 0.394	0.055	0.043 0.016	0.043 0.039	0.01	0.01	0.004	0.035 0.016	

Note

1. Plastic or metal protrusions of 0.15 mm (0.006 inch) maximum per side are not included.

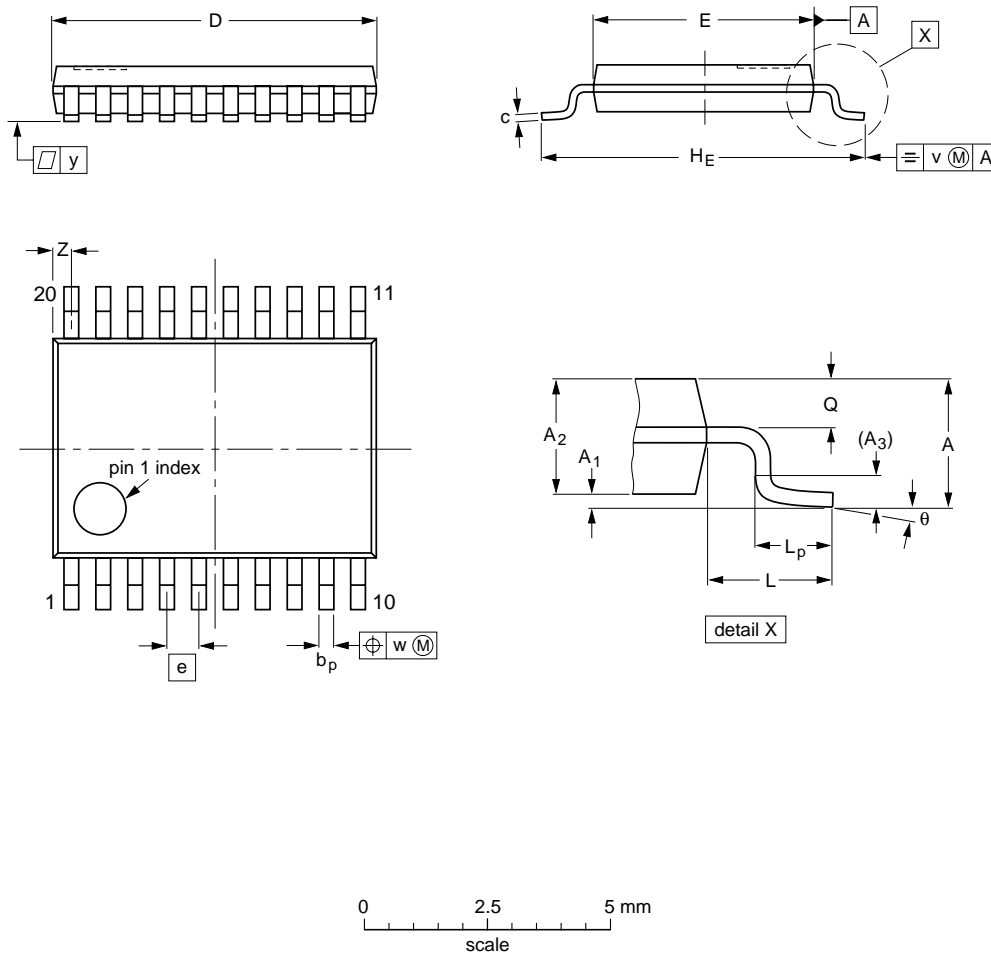
OUTLINE VERSION	REFERENCES				EUROPEAN PROJECTION	ISSUE DATE
	IEC	JEDEC	JEITA			
SOT163-1	075E04	MS-013				99-12-27 03-02-19

Octal D-type flip-flop with reset;
positive-edge trigger

74AHC273; 74AHCT273

TSSOP20: plastic thin shrink small outline package; 20 leads; body width 4.4 mm

SOT360-1



DIMENSIONS (mm are the original dimensions)

UNIT	A max.	A ₁	A ₂	A ₃	b _p	c	D ⁽¹⁾	E ⁽²⁾	e	H _E	L	L _p	Q	v	w	y	z ⁽¹⁾	θ
mm	1.1	0.15 0.05	0.95 0.80	0.25	0.30 0.19	0.2 0.1	6.6 6.4	4.5 4.3	0.65	6.6 6.2	1	0.75 0.50	0.4 0.3	0.2	0.13	0.1	0.5 0.2	8° 0°

Notes

1. Plastic or metal protrusions of 0.15 mm maximum per side are not included.
2. Plastic interlead protrusions of 0.25 mm maximum per side are not included.

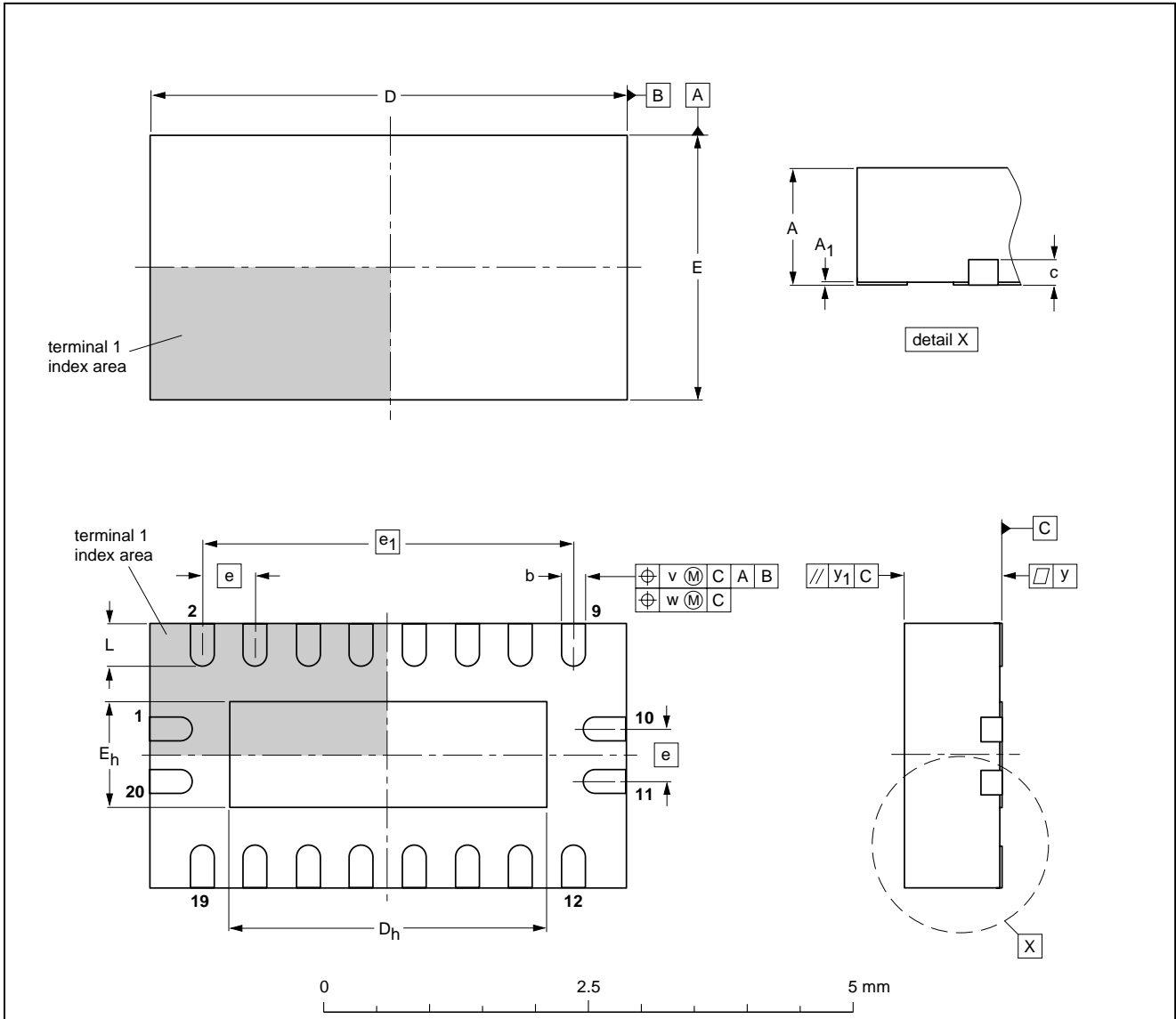
OUTLINE VERSION	REFERENCES				EUROPEAN PROJECTION	ISSUE DATE
	IEC	JEDEC	JEITA			
SOT360-1		MO-153				99-12-27 03-02-19

Octal D-type flip-flop with reset;
positive-edge trigger

74AHC273; 74AHCT273

DHVQFN20: plastic dual in-line compatible thermal enhanced very thin quad flat package; no leads;
20 terminals; body 2.5 x 4.5 x 0.85 mm

SOT764-1



DIMENSIONS (mm are the original dimensions)

UNIT	A ⁽¹⁾ max.	A ₁	b	c	D ⁽¹⁾	D _h	E ⁽¹⁾	E _h	e	e ₁	L	v	w	y	y ₁
mm	1	0.05 0.00	0.30 0.18	0.2	4.6 4.4	3.15 2.85	2.6 2.4	1.15 0.85	0.5	3.5	0.5 0.3	0.1	0.05	0.05	0.1

Note

1. Plastic or metal protrusions of 0.075 mm maximum per side are not included.

OUTLINE VERSION	REFERENCES				EUROPEAN PROJECTION	ISSUE DATE
	IEC	JEDEC	JEITA			
SOT764-1	---	MO-241	---			02-10-17 03-01-27

Octal D-type flip-flop with reset; positive-edge trigger

74AHC273; 74AHCT273

DATA SHEET STATUS

LEVEL	DATA SHEET STATUS ⁽¹⁾	PRODUCT STATUS ⁽²⁾⁽³⁾	DEFINITION
I	Objective data	Development	This data sheet contains data from the objective specification for product development. Philips Semiconductors reserves the right to change the specification in any manner without notice.
II	Preliminary data	Qualification	This data sheet contains data from the preliminary specification. Supplementary data will be published at a later date. Philips Semiconductors reserves the right to change the specification without notice, in order to improve the design and supply the best possible product.
III	Product data	Production	This data sheet contains data from the product specification. Philips Semiconductors reserves the right to make changes at any time in order to improve the design, manufacturing and supply. Relevant changes will be communicated via a Customer Product/Process Change Notification (CPCN).

Notes

1. Please consult the most recently issued data sheet before initiating or completing a design.
2. The product status of the device(s) described in this data sheet may have changed since this data sheet was published. The latest information is available on the Internet at URL <http://www.semiconductors.philips.com>.
3. For data sheets describing multiple type numbers, the highest-level product status determines the data sheet status.

DEFINITIONS

Short-form specification — The data in a short-form specification is extracted from a full data sheet with the same type number and title. For detailed information see the relevant data sheet or data handbook.

Limiting values definition — Limiting values given are in accordance with the Absolute Maximum Rating System (IEC 60134). Stress above one or more of the limiting values may cause permanent damage to the device. These are stress ratings only and operation of the device at these or at any other conditions above those given in the Characteristics sections of the specification is not implied. Exposure to limiting values for extended periods may affect device reliability.

Application information — Applications that are described herein for any of these products are for illustrative purposes only. Philips Semiconductors make no representation or warranty that such applications will be suitable for the specified use without further testing or modification.

DISCLAIMERS

Life support applications — These products are not designed for use in life support appliances, devices, or systems where malfunction of these products can reasonably be expected to result in personal injury. Philips Semiconductors customers using or selling these products for use in such applications do so at their own risk and agree to fully indemnify Philips Semiconductors for any damages resulting from such application.

Right to make changes — Philips Semiconductors reserves the right to make changes in the products - including circuits, standard cells, and/or software - described or contained herein in order to improve design and/or performance. When the product is in full production (status 'Production'), relevant changes will be communicated via a Customer Product/Process Change Notification (CPCN). Philips Semiconductors assumes no responsibility or liability for the use of any of these products, conveys no licence or title under any patent, copyright, or mask work right to these products, and makes no representations or warranties that these products are free from patent, copyright, or mask work right infringement, unless otherwise specified.

Philips Semiconductors – a worldwide company

Contact information

For additional information please visit <http://www.semiconductors.philips.com>. Fax: +31 40 27 24825

For sales offices addresses send e-mail to: sales.addresses@www.semiconductors.philips.com.

© Koninklijke Philips Electronics N.V. 2003

SCA75

All rights are reserved. Reproduction in whole or in part is prohibited without the prior written consent of the copyright owner.

The information presented in this document does not form part of any quotation or contract, is believed to be accurate and reliable and may be changed without notice. No liability will be accepted by the publisher for any consequence of its use. Publication thereof does not convey nor imply any license under patent- or other industrial or intellectual property rights.

Printed in The Netherlands

613508/02/pp23

Date of release: 2003 Jul 21

Document order number: 9397 750 11222

Let's make things better.

**Philips
Semiconductors**



PHILIPS